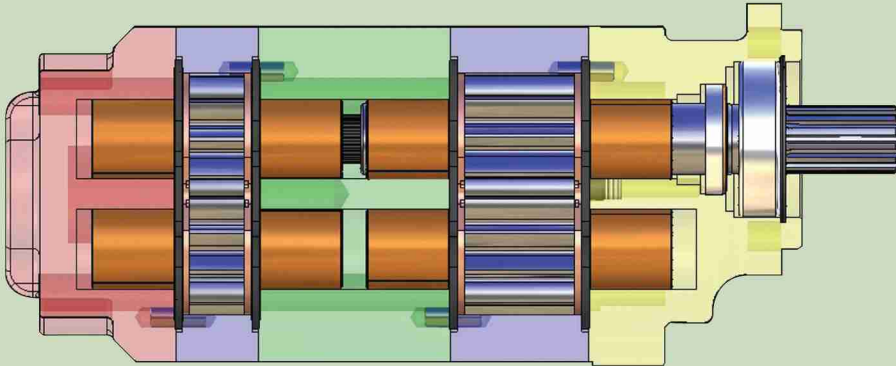


BUSHING RANGE



Pump & Motor Specifications

CODE

Manufactured in South Africa

| DASH SIZE GEAR WIDTH | -05 0.50"(1/2") | -07 0.75"(3/4") | -10 1.00"(1") | -12 1.25"(1 1/4") | -15 1.50"(1 1/2") | -17 1.75"(1 3/4") | -20 2.00"(2") | -22 2.25"(2 1/4") | -25 2.50"(2 1/2") |
|--------------------------|--------------------|--------------------|------------------|----------------------|----------------------|----------------------|------------------|----------------------|----------------------|
| 215 | | | | | | | | | |
| Gear Housing Width | 0.88"(7/8") | 1.13"(11/8") | 1.38"(13/8") | 1.63"(15/8") | 1.88"(17/8") | 2.13"(21/8") | 2.38"(23/8") | | |
| cc/rev | 10.00 | 15.00 | 20.00 | 25.00 | 30.00 | 35.00 | 40.00 | | |
| Lpm (at 1000rpm) | 10.00 | 15.00 | 20.00 | 25.00 | 30.00 | 35.00 | 40.00 | | |
| cu in (cu in/rev) | 0.61 | 0.92 | 1.22 | 1.53 | 1.84 | 2.15 | 2.44 | | |
| US gpm (at 1000rpm) | 4.23 | 6.37 | 8.51 | 10.65 | 12.76 | 14.90 | 17.04 | | |
| Max Pressure(bar) | 240 | 240 | 240 | 240 | 220 | 200 | 170 | | |
| Max Pressure(psi) | 3500 | 3500 | 3500 | 3500 | 3200 | 2900 | 2500 | | |
| Max Speed (rpm) | 3000 | 3000 | 3000 | 3000 | 3000 | 3000 | 3000 | | |
| Pump Weight (kg) | 8.00 | 8.00 | 8.00 | 8.50 | 9.00 | 9.50 | 10.00 | | |
| Additional sect add (kg) | 8.00 | 8.00 | 8.00 | 8.50 | 9.00 | 9.50 | 10.00 | | |
| 230 | | | | | | | | | |
| Gear Housing Width | 1.00"(1") | 1.25"(1 1/4") | 1.50"(1 1/2") | 1.75"(1 3/4") | 2.00"(2") | 2.25"(2 1/4") | 2.50"(2 1/2") | | |
| cc/rev | 16.00 | 24.10 | 32.20 | 40.30 | 48.30 | 56.40 | 64.50 | | |
| Lpm (at 1000rpm) | 16.00 | 24.10 | 32.20 | 40.30 | 48.30 | 56.40 | 64.50 | | |
| cu in (cu in/rev) | 0.99 | 1.48 | 1.97 | 2.46 | 2.96 | 3.45 | 3.94 | | |
| US gpm (at 1000rpm) | 4.23 | 6.37 | 8.51 | 10.65 | 12.76 | 14.90 | 17.04 | | |
| Max Pressure(bar) | 240 | 240 | 240 | 240 | 240 | 220 | 200 | | |
| Max Pressure(psi) | 3500 | 3500 | 3500 | 3500 | 3500 | 3250 | 3000 | | |
| Max Speed (rpm) | 3000 | 3000 | 3000 | 3000 | 3000 | 3000 | 3000 | | |
| Pump Weight (kg) | 16.00 | 16.00 | 16.00 | 16.60 | 17.20 | 17.80 | 18.40 | | |
| Additional sect add (kg) | 14.40 | 14.40 | 14.40 | 14.90 | 15.50 | 16.00 | 16.60 | | |
| 250 | | | | | | | | | |
| Gear Housing Width | 1.00"(1") | 1.25"(1 1/4") | 1.50"(1 1/2") | 1.75"(1 3/4") | 2.00"(2") | 2.25"(2 1/4") | 2.50"(2 1/2") | 2.75"(2 3/4") | 3.00"(3") |
| cc/rev | 20.80 | 31.20 | 41.70 | 52.10 | 62.60 | 73.00 | 83.50 | 94.00 | 104.40 |
| Lpm (at 1000rpm) | 20.80 | 31.20 | 41.70 | 52.10 | 62.60 | 73.00 | 83.50 | 94.00 | 104.40 |
| cu in (cu in/rev) | 1.28 | 1.91 | 2.55 | 3.19 | 3.82 | 4.46 | 5.10 | 5.74 | 6.38 |
| US gpm (at 1000rpm) | 5.50 | 8.24 | 11.02 | 13.76 | 16.54 | 19.29 | 22.06 | 24.84 | 27.58 |
| Max Pressure(bar) | 240 | 240 | 240 | 240 | 240 | 220 | 200 | 190 | 170 |
| Max Pressure(psi) | 3500 | 3500 | 3500 | 3500 | 3500 | 3250 | 3000 | 2750 | 2500 |
| Max Speed (rpm) | 2400 | 2400 | 2400 | 2400 | 2400 | 2400 | 2400 | 2400 | 2400 |
| Pump Weight (kg) | 22.70 | 22.70 | 22.70 | 23.40 | 24.10 | 24.80 | 25.50 | 26.20 | 26.90 |
| Additional sect add (kg) | 22.70 | 22.70 | 22.70 | 23.40 | 24.10 | 24.80 | 25.50 | 26.20 | 26.90 |
| 265 | | | | | | | | | |
| Gear Housing Width | | 1.25"(1 1/4") | 1.50"(1 1/2") | 1.75"(1 3/4") | 2.00"(2") | 2.25"(2 1/4") | 2.50"(2 1/2") | 2.75"(2 3/4") | 3.00"(3") |
| cc/rev | | 44.00 | 59.00 | 73.50 | 88.00 | 102.00 | 118.00 | 132.60 | 147.00 |
| Lpm (at 1000rpm) | | 44.00 | 59.00 | 73.50 | 88.00 | 102.00 | 118.00 | 132.60 | 147.00 |
| cu in (cu in/rev) | | 2.68 | 3.60 | 4.49 | 5.37 | 6.22 | 7.20 | 8.09 | 8.97 |
| US gpm (at 1000rpm) | | 11.62 | 15.59 | 19.42 | 23.25 | 26.95 | 31.18 | 35.03 | 38.84 |
| Max Pressure(bar) | | 240 | 240 | 240 | 240 | 240 | 240 | 220 | 200 |
| Max Pressure(psi) | | 3500 | 3500 | 3500 | 3500 | 3500 | 3500 | 3250 | 3000 |
| Max Speed (rpm) | | 2400 | 2400 | 2400 | 2400 | 2400 | 2400 | 2400 | 2400 |
| Pump Weight (kg) | | 24.90 | 24.90 | 26.00 | 27.10 | 28.20 | 29.30 | 30.40 | 31.50 |
| Additional sect add (kg) | | 22.70 | 22.70 | 23.40 | 24.10 | 24.80 | 25.50 | 26.20 | 26.90 |

THE ABOVE DATA ARE AVERAGE RESULTS BASED ON A SERIES OF TESTS AND ARE NOT NECESSARILY REPRESENTATIVE OF ANY SINGLE UNIT. GEAR PUMP MANUFACTURING RESERVES THE RIGHT TO AMEND THE TECHNICAL DATA WITHOUT NOTICE.

| Useful Formulae | To Convert | Inches | Bar | Cu In/rev | US GPM | US GPM | kg |
|-----------------|-------------|-------------|------|-----------|-----------|--------|-------|
| | Into | Millimeters | Psi | cc/rev | Cu In/rev | cc/rev | lbs |
| | Multiply by | 25.4 | 14.5 | 16.39 | 2.31 | 3.785 | 2.205 |

GP = PUMP
GM = MOTOR
GF = FLOW DIVIDER
GA = ADD ON
GB = STEP DOWN
GZ = PUMP / MOTOR COMBO